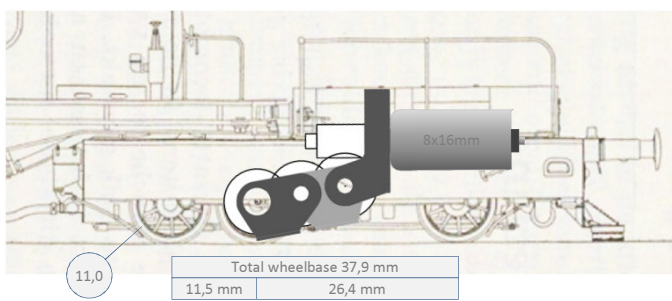


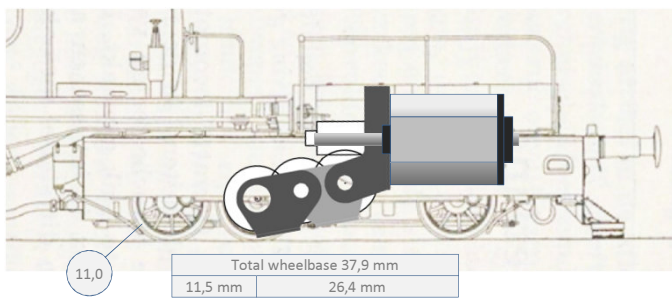
Horizontal MicroMiser

Rpm	11.000
Wheel diam	10.8 mm
Gear ratio	1:60
Scale speed	32 km/h



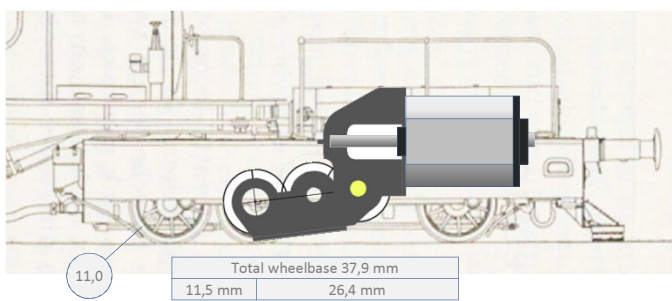
LoLoader with MicroMotor

Rpm	11.000
Wheel diam	10.8 mm
Gear ratio	1:60
Scale speed	32 km/h



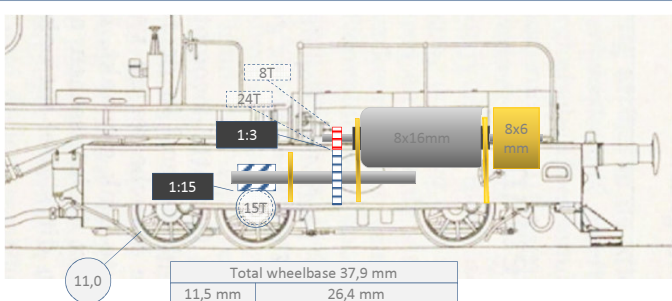
LoLoader w 1015

Rpm	16.000
Wheel diam	10.8 mm
Gear ratio	1:60
Scale speed	47 km/h



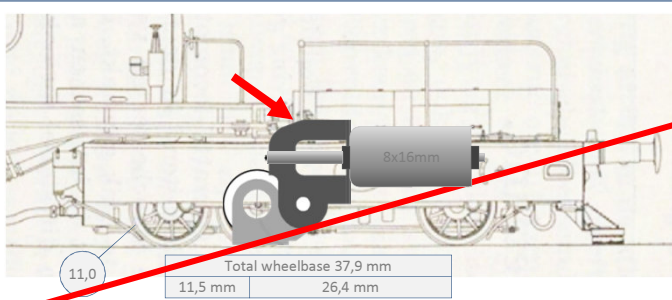
RoadRunner Compact + Ext + 1015

Rpm	16.000
Wheel diam	10.8 mm
Gear ratio	1:54
Scale speed	52 km/h



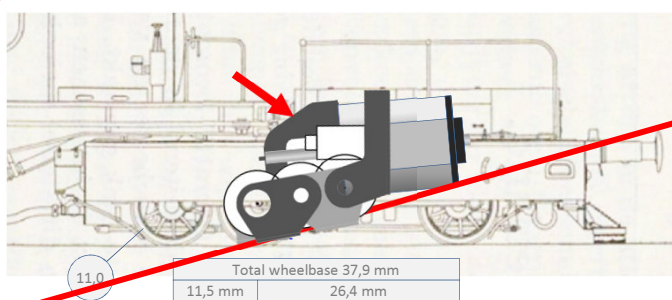
Self built with MicroMotor

Rpm	11.000
Wheel diam	10.8 mm
Gear ratio	1:30
Scale speed	65 km/h



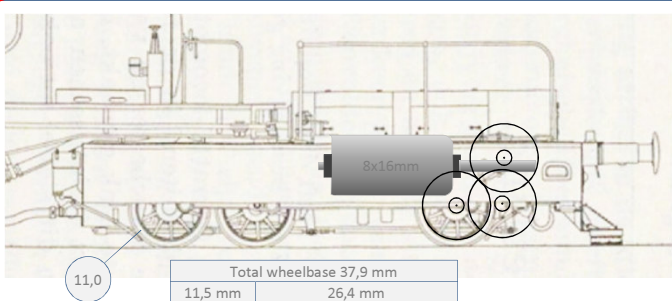
SlimLiner Compact

Rpm	11.000
Wheel diam	10.8 mm
Gear ratio	1:60
Scale speed	32 km/h



RoadRunner Compact

Rpm	16.000
Wheel diam	10.8 mm
Gear ratio	1:54
Scale speed	52 km/h



Rpm	16.000
Wheel diam	10.8 mm
Gear ratio	1:60
Scale speed	47 km/h